



Pneumatic winch model RPA

Capacity 250 - 500 kg

The conception is in accordance with the design of the model RPE.

With 100% duty rating and an unlimited number of starts the model RPA is suitable for heavy duty applications. It is insusceptible to contamination, humidity and aggressive mediums from the outside.

Features

- Robust rotating piston motor with high starting torque, designed for operating pressures 4 to 6 bar.
- Spring pressure disc brake incorporated in the motor holds the load secure even in the event of an air failure.
- Sensitive control by means of direct acting valves in the control switch.

Options

- Different drum designs, e.g. extended to accommodate longer rope, machined grooves for exact reeling, with separation web and 2nd rope outlet for working with two ropes.
- Control including 2.5m hose and air coupler.
- Maintenance unit for main air supply pipe (pressure regulator, manometer, lubricator and support).



Rope attachment



Different drum designs

INFO

To ensure faultless operation the compressed air supply must be filtered and oiled!

Available in corrosion proof version on request!

Yale hoists and trolleys are not designed for passenger elevation applications and must not be used for this purpose.

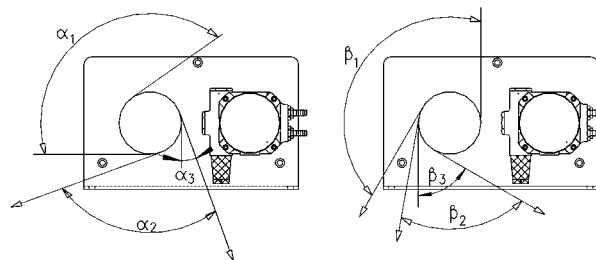
Technical data model RPA

Model	EAN-No. 4025092*	Capacity daN	Lifting speed with rated load ¹ m/min	Lifting speed without load ¹ m/min	Lowering speed with rated load ¹ m/min	Rope diameter mm	Motor kW	Useable rope length top layer m	Weight without rope kg
RPA 2-13	*072397	250	12.5	20	22	4	0.55	54.5	36.7
RPA 5-6	*072458	500	6.2	10	11	6	0.55	38.8	36.7

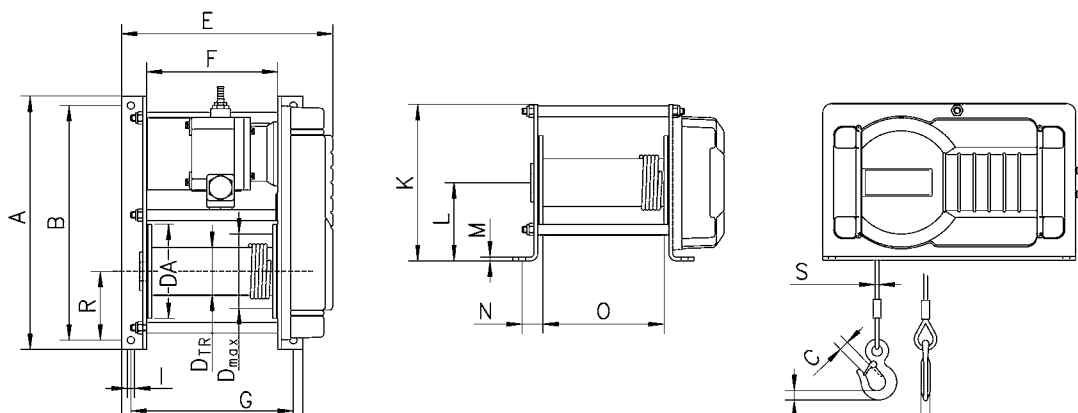
¹ Values in the top layer for 6 bar, air consumption 0.75 m³/min

Dimensions model RPA

Model	RPA 2-13	RPA 5-6
A, mm	405	405
B, mm	375	375
C, mm	18	18
DTR, mm	76	76
Dmax, mm	104	118
DA, mm	150	150
E, mm	336	336
F, mm	210	210
G, mm	260	260
H, mm	290	290
I, mm	11	11
K, mm	250	250
L, mm	125	125
M, mm	6	6
N, mm	33	33
O, mm	194	194
P, mm	19	19
Q, mm	13	13
R, mm	125	125
S, mm	4	6
$\alpha 1, ^\circ$	130	130
$\alpha 2, ^\circ$	90	90
$\alpha 3, ^\circ$	20	20
$\beta 1, ^\circ$	150	150
$\beta 2, ^\circ$	70	70
$\beta 3, ^\circ$	60	60



Rope lead-offs for pneumatic rope winch RPA



INFO

When selecting the length of the rope please bear in mind that a minimum of 2-3 windings have to remain on the drum.